

KP-8000 ZEP

ARCTUNER

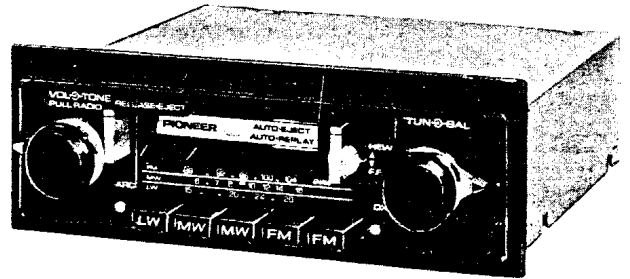
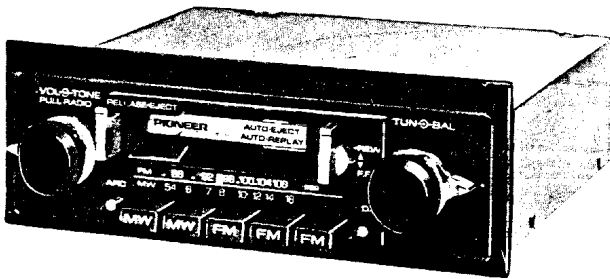
CASSETTE CAR STEREO
WITH MW/FM-STEREO

KP-8300 ZEP

ARCTUNER

CASSETTE CAR STEREO
WITH LW/MW/FM-STEREO

SERVICE MANUAL



SPECIFICATIONS

Semi-Conductors AF: 4IC's, 9 transistors, 12 diodes
RF: 4 IC's, 10 transistors, 8 diodes

Controls Volume/radio sw, tone, balance,
tuning, release/eject, fast forward/rewind,
ARC sw, DX sw, pre-set buttons

Power Source DC 13.8V (11~16V allowable)

Grounding Negative ground system

Cartridge PHILIPS-type cassette (C-30, C-60, C-90)

Wow and Flutter No more than 0.3% (WRMS)

Fast Forward Time No more than 100 sec. for C-60

Fast Rewind Time No more than 100 sec. for C-60

Power Output Rated (RMS): 7W

Frequency Response 30~12,000 Hz (-3dB)

Cross Talk More than 40dB

Signal to Noise Ratio More than 45dB

Output Impedance 4 Ω (2~8 Ω allowable)

FM ARC TUNER SECTION

Frequency Range 88~108 MHz (KP-8000)
88~104 MHz (KP-8300)

Usable Sensitivity 3.5dB (μ V)

Signal to Noise Ratio More than 60dB

Capture Ratio No more than 3dB

Sensitivity 70dB

Image Rejection 56dB

IF Rejection 64dB

Distortion No more than 1%

Frequency Response 30~12,000 Hz (-3dB)

Muting Level ARC ON: 20dB, ARC OFF: 5dB

Stereo Separation 25dB

Distance Switch Effect 16dB attenuation, ON-OFF

MW TUNER SECTION

Frequency Range 525~1,605 kHz

Sensitivity 25dB (μ V)

Selectivity 25dB (\pm 10kHz)

LW TUNER SECTION (KP-8300 ONLY)

Frequency Range 150~280 kHz

Sensitivity 50dB (μ V)

Selectivity 20dB (\pm 10kHz)

DIMENSIONS

Main Unit (W x H x D) 180 x 50 x 145 mm

Nose Size (W x H) 105 x 40 mm

Shaft Interval 130 mm

Weight 2 kg

NOISE SUPPRESSOR SECTION

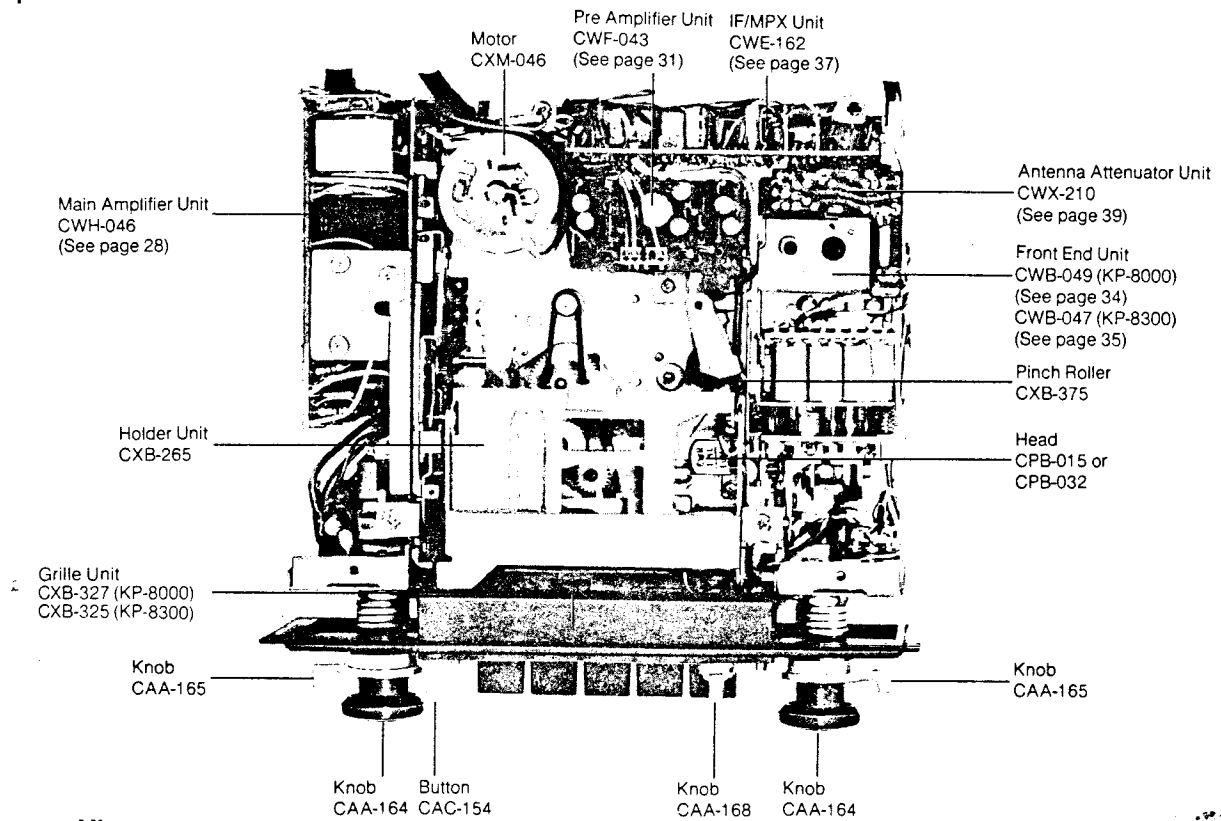
Dimensions (W x H x D) 54 x 26 x 82 mm

Weight 200 g

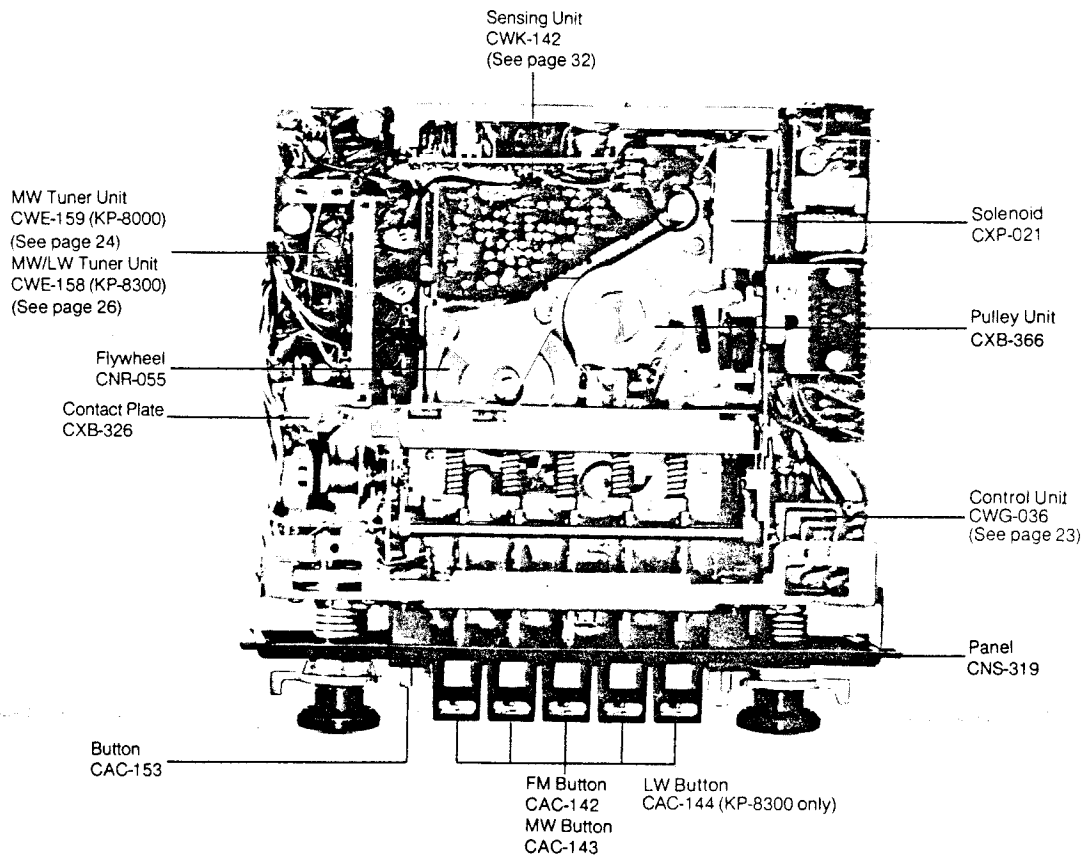
PARTS LOCATION

KP-8000
KP-8300

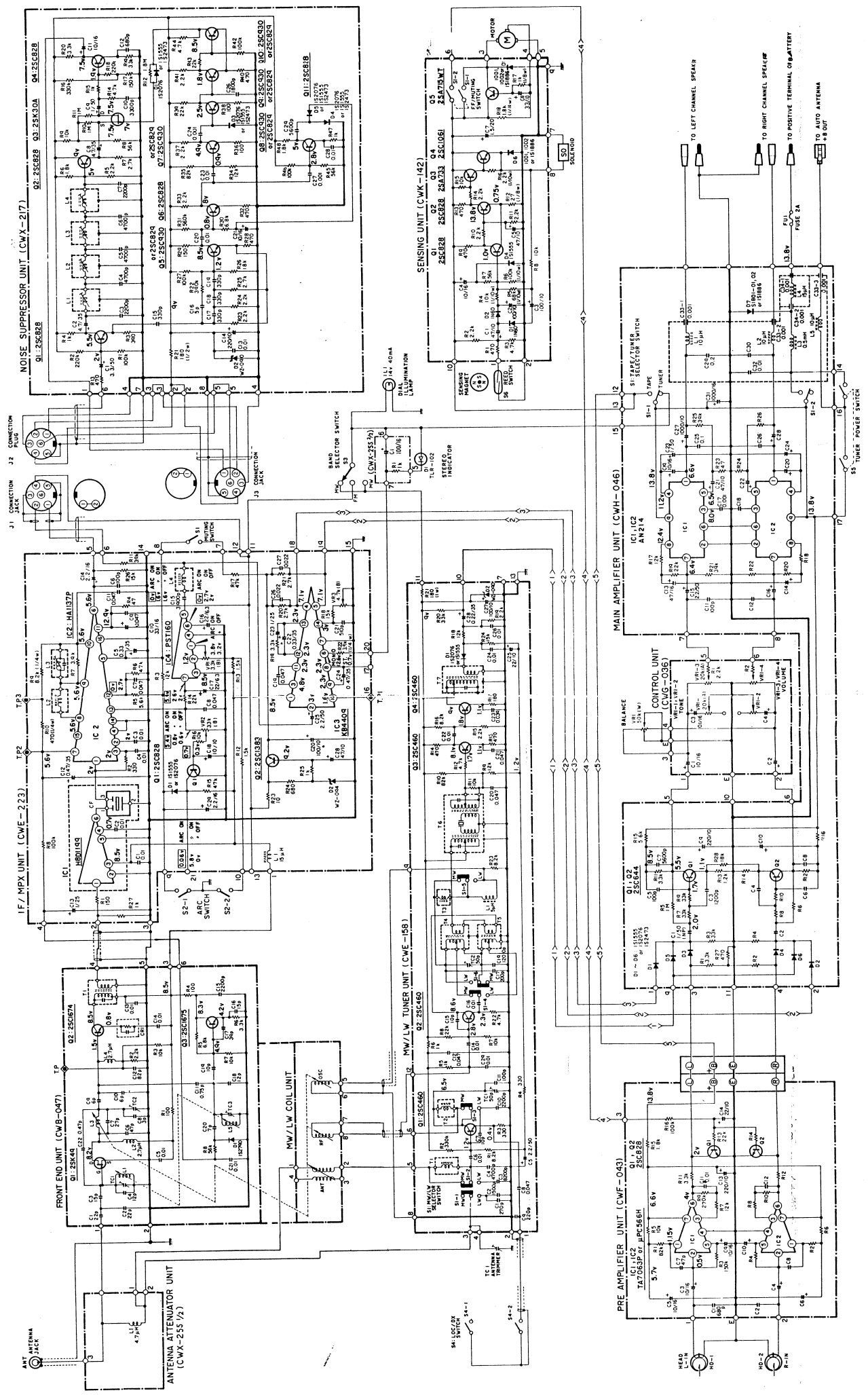
• Top View



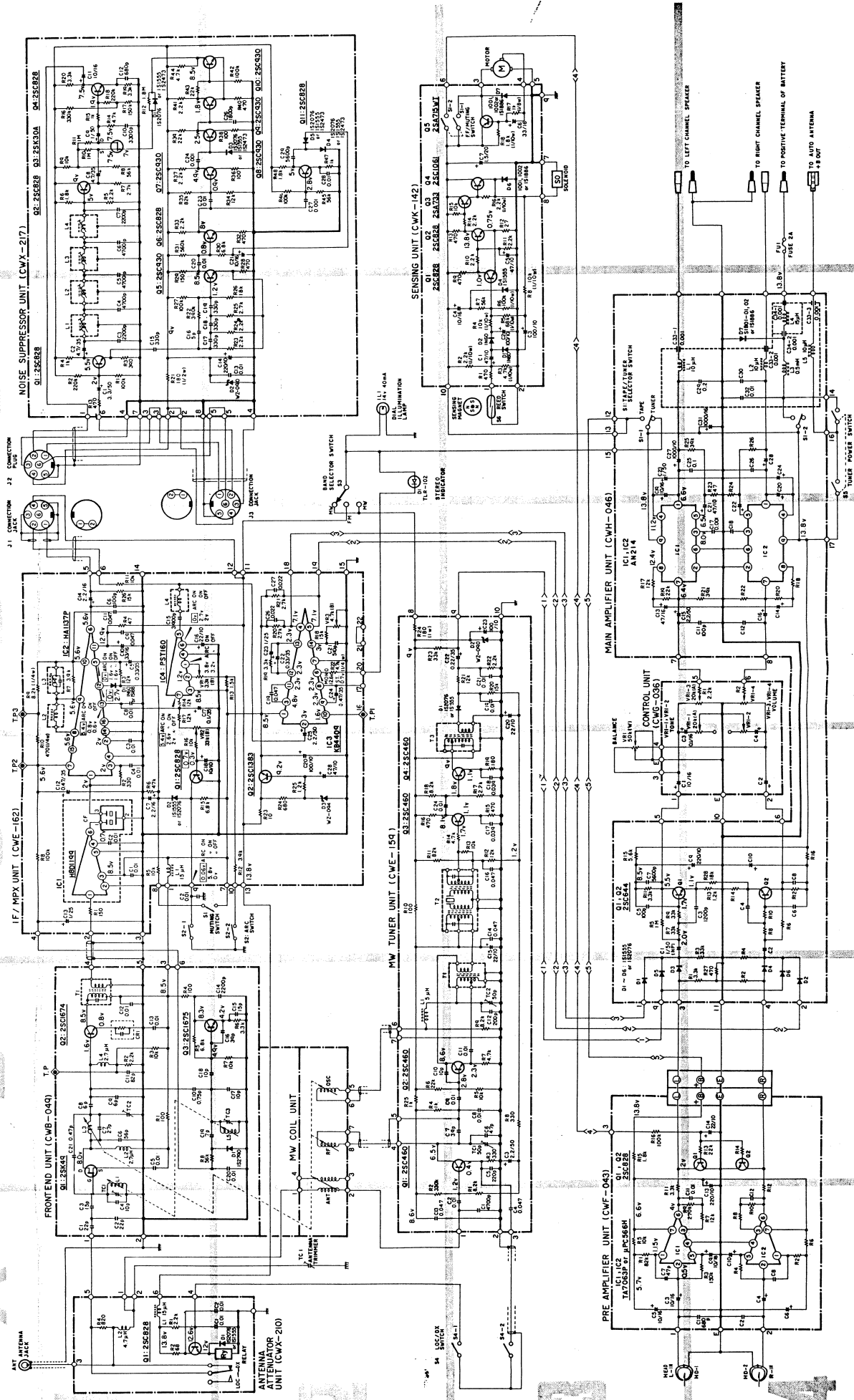
• Bottom View



SCHEMATIC CIRCUIT DIAGRAM (KP-8300)

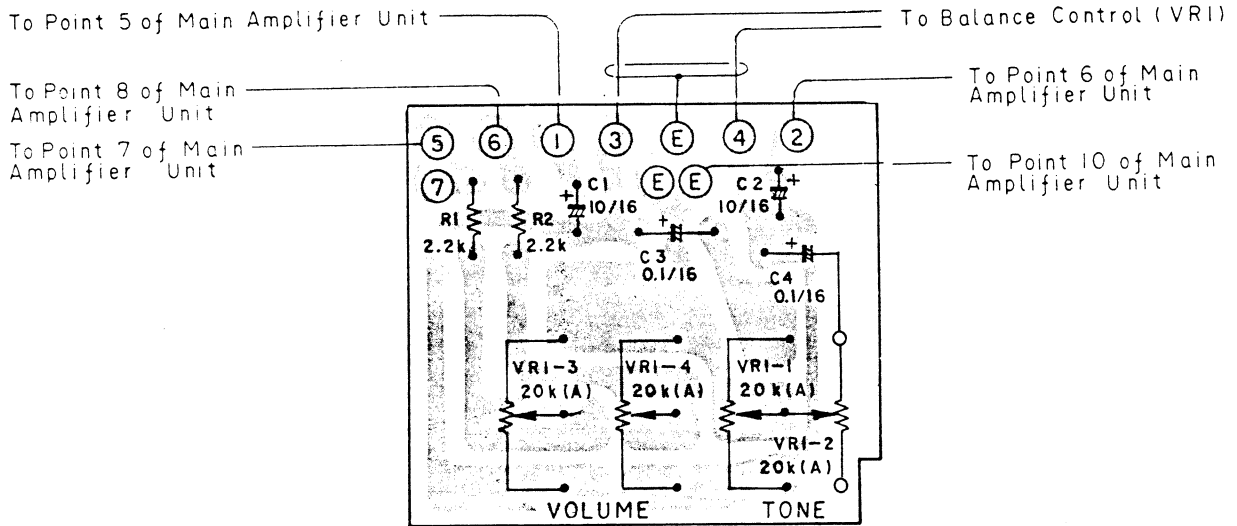


SCHEMATIC CIRCUIT DIAGRAM (KP-8000)



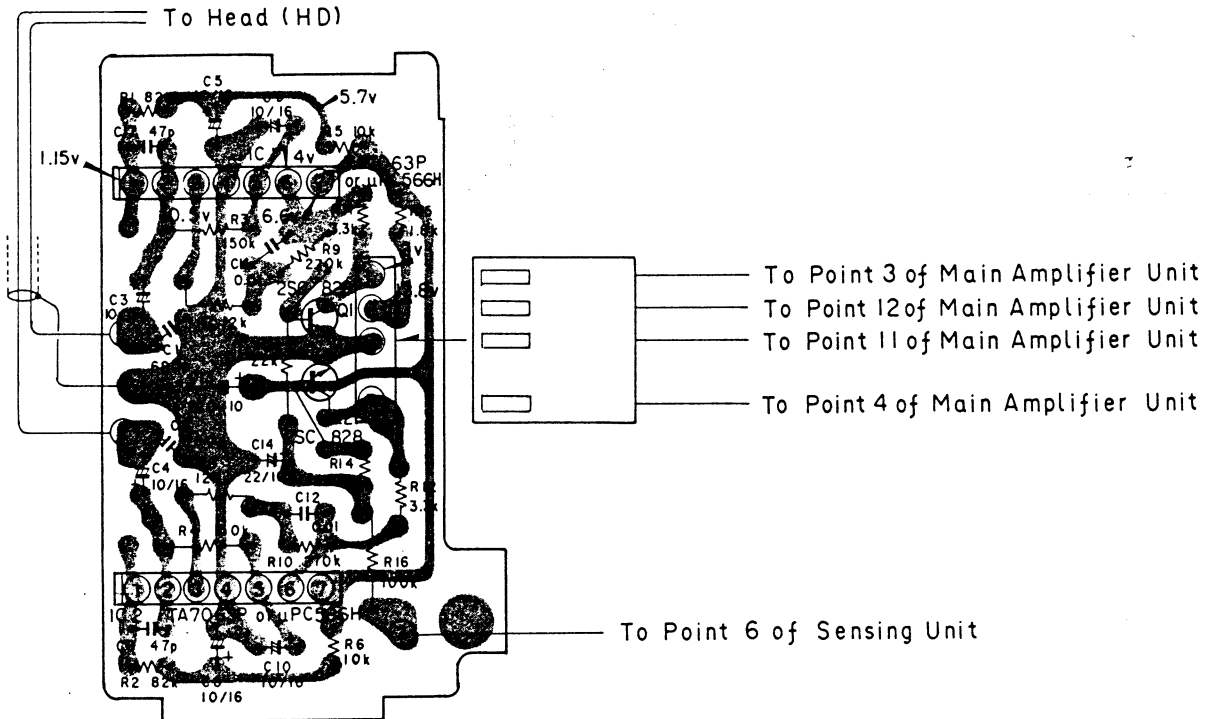
CONTROL UNIT (CWG-036)

• Parts connection



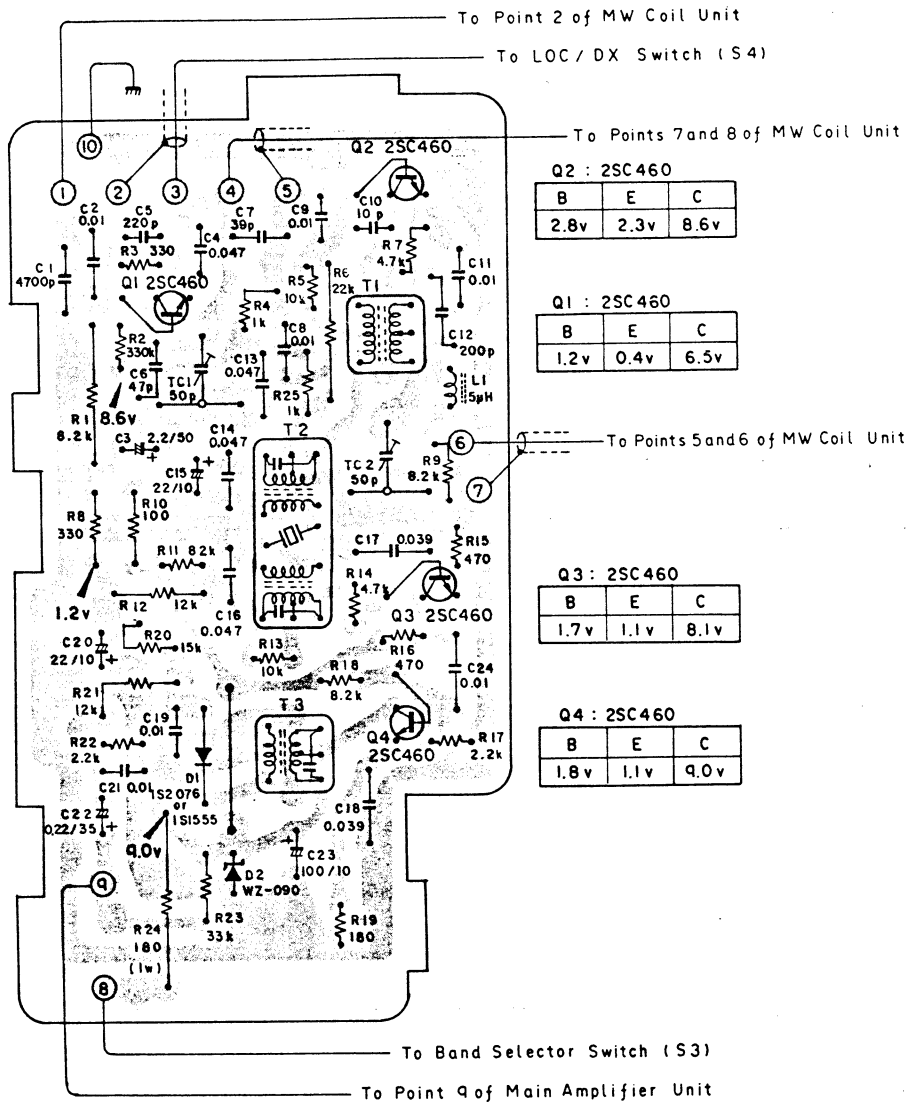
PRE AMPLIFIER UNIT (CWF-043)

• Parts Connection



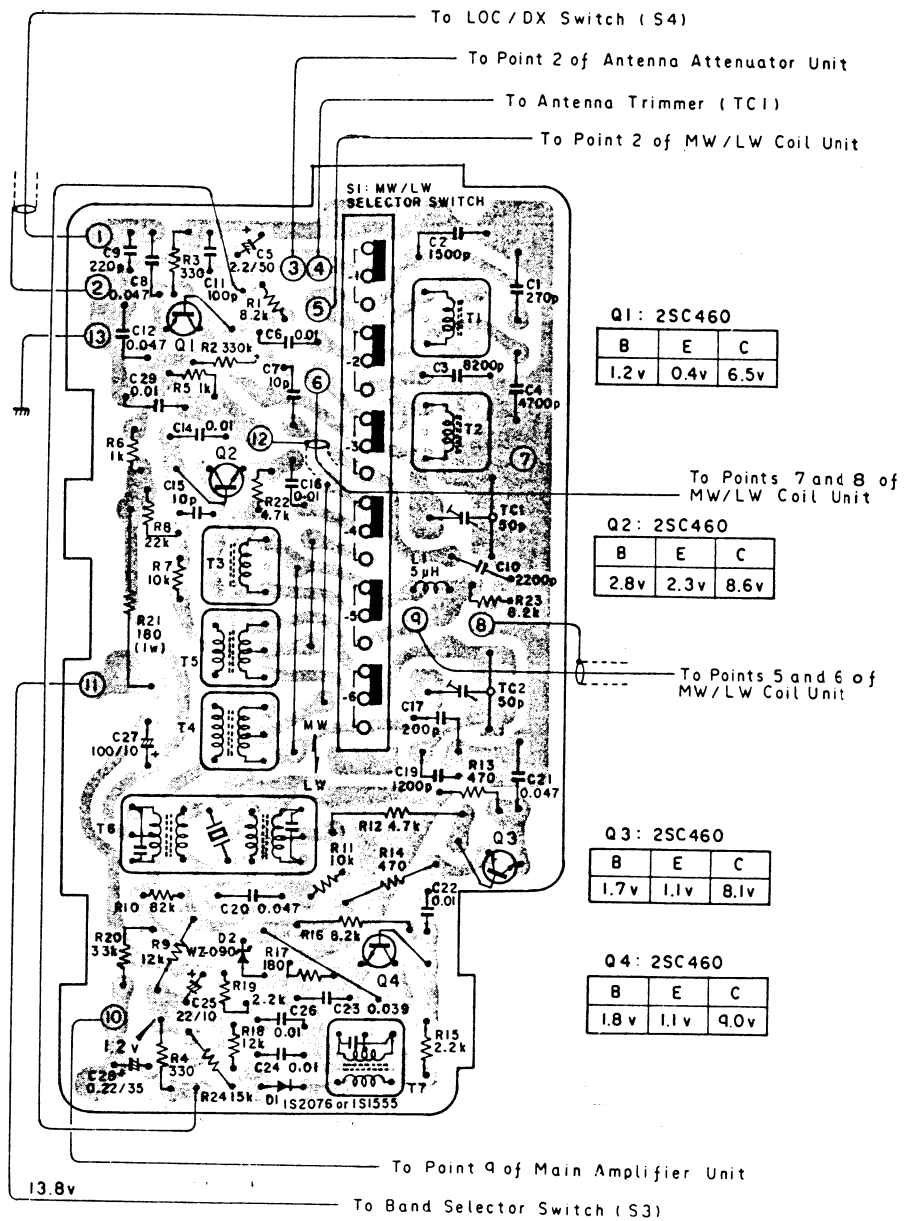
MW TUNER UNIT (CWE-159)(KP-8000)

• Parts Connection



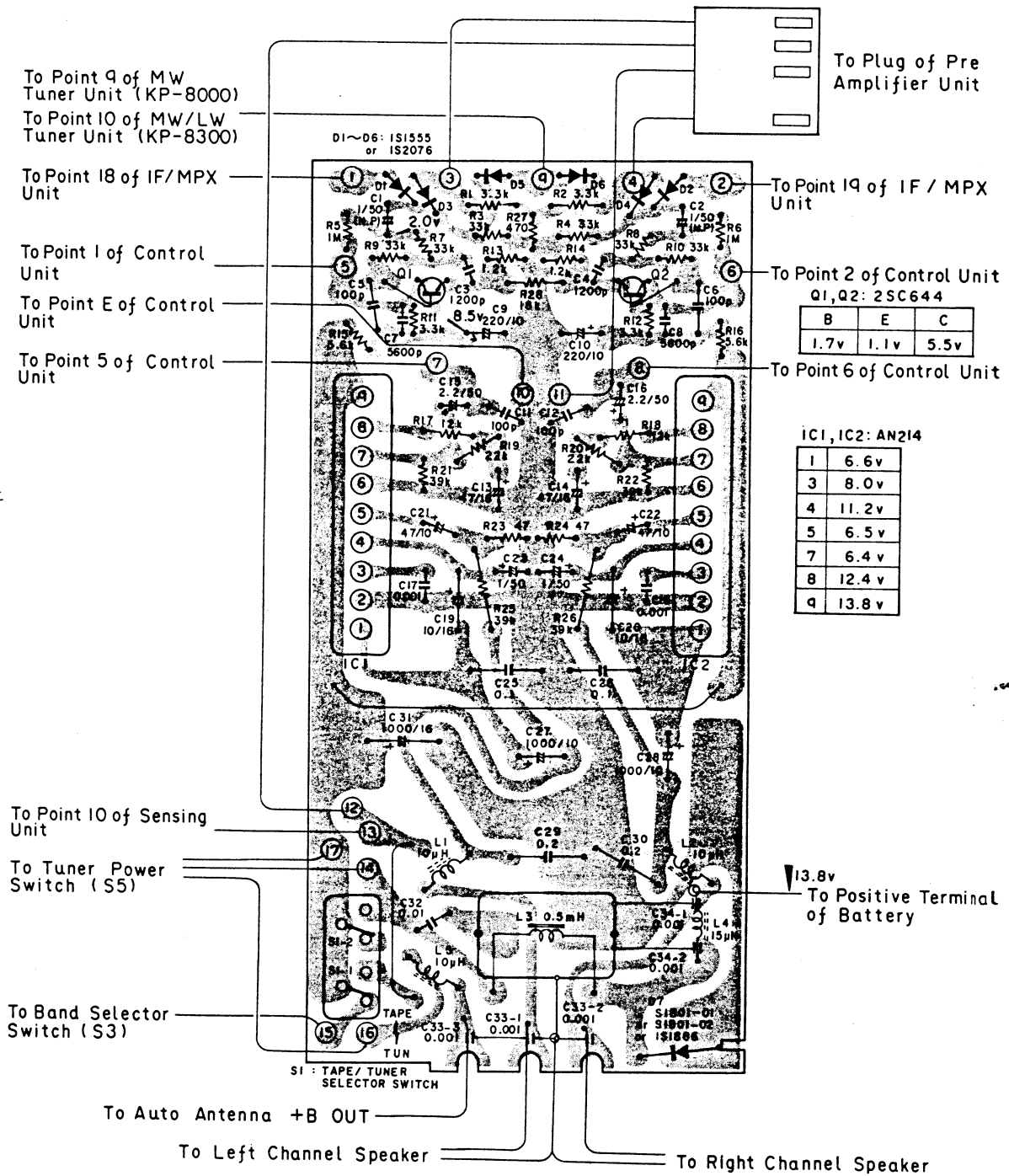
MW/LW TUNER UNIT (CWE-158)(KP-8300)

- Parts Connection



MAIN AMPLIFIER UNIT (CWH-046)

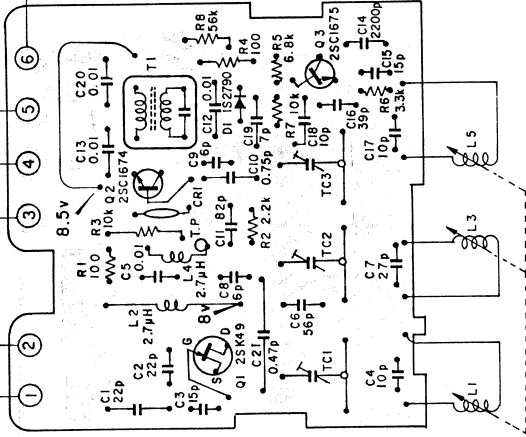
• Parts Connection



FRONT END UNIT (CWB-049) (KP-8000)

To Point 5 of Antenna Attenuator Unit
 To Antenna Jack (ANT)
 To Point 1 of IF/MPX Unit
 To Points 2 and 3 of IF/MPX Unit
 To Point 4 of IF/MPX Unit

• Parts Connection



Q2: 2SC1674

B	E	C
1.6v	0.8v	8.5v

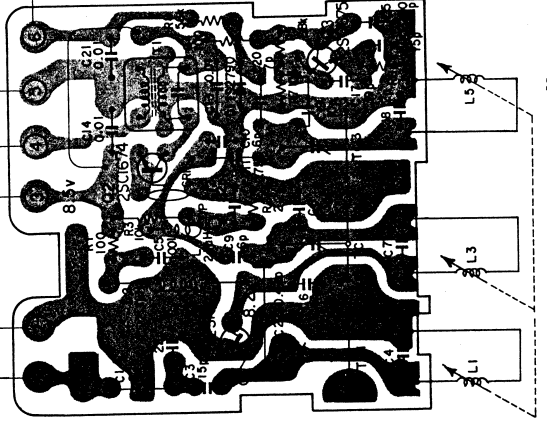
Q3: 2SC1675

B	E	C
4.9v	4.2v	8.3v

FRONT END UNIT (CWB-047) (KP-8300)

To Point 5 of Antenna Attenuator Unit
 To Antenna Jack (ANT)
 To Point 1 of IF/MPX Unit
 To Points 2 and 3 of IF/MPX Unit
 To Point 4 of IF/MPX Unit

• Parts Connection



Q2: 2SC1674

B	E	C
1.5v	0.8v	8.5v

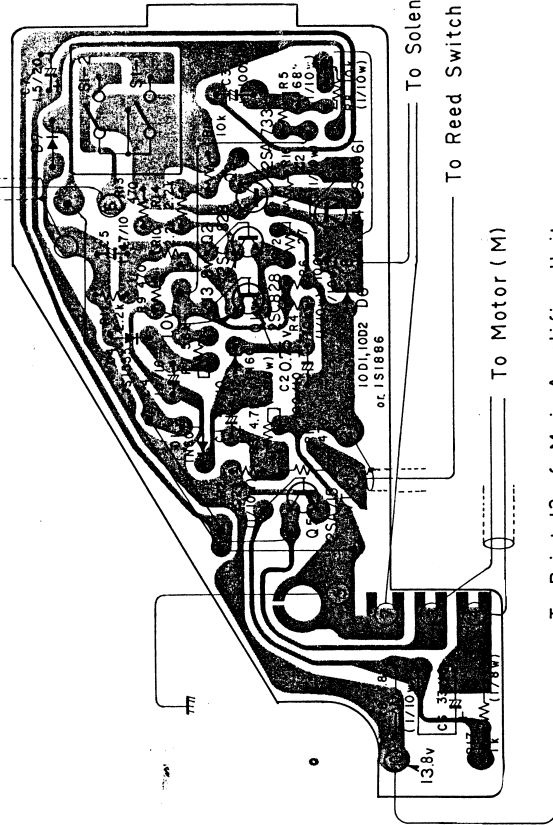
Q3: 2SC1675

B	E	C
4.9v	4.2v	8.3v

SENSING UNIT (CWK-142)

• Parts Connection

To Point 3 of Pre Amplifier Unit



To Motor (M)

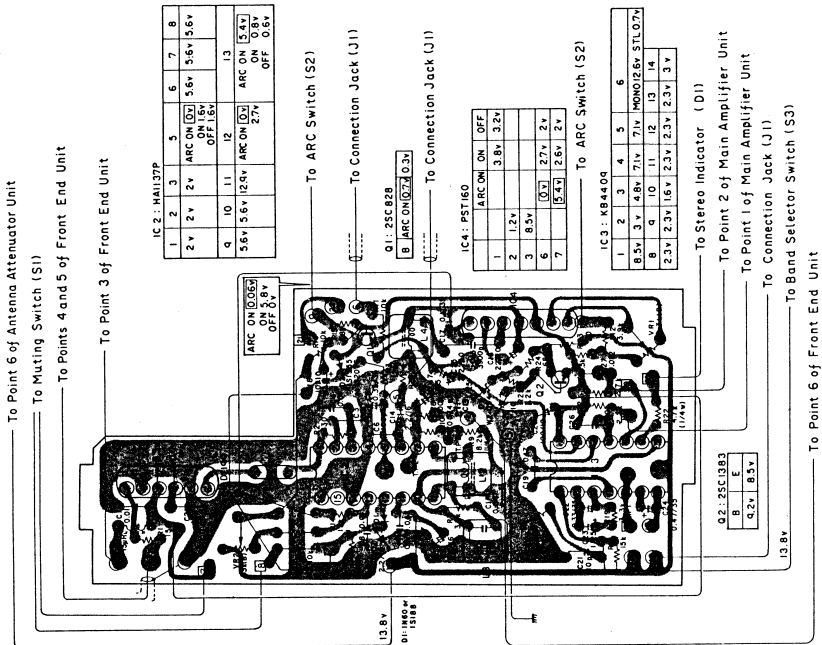
To Point 13 of Main Amplifier Unit

To Solenoid (S0)

To Reed Switch (S6)

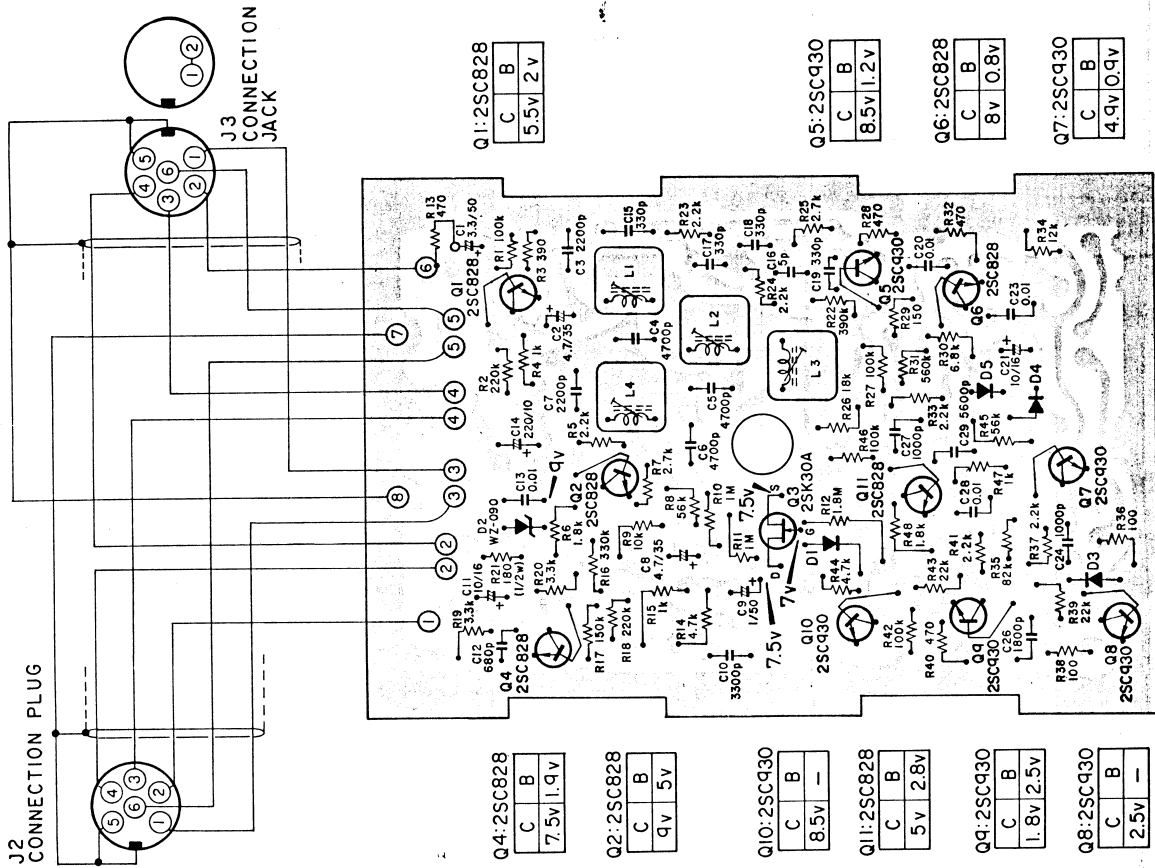
IF/MPX UNIT (CWE-162)

• Parts Connection



NOISE SUPPRESSOR UNIT (CWX-217)

• Parts Connection



• IC's and Transistors

- 2SC644
- 2SC930
- 2SA1134
- 2SC1634
- 2SC1675
- 2SC828

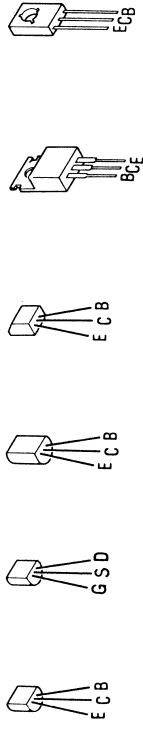
- 2SK49
- 2SK30A

- 2SA715WT

- 2SC1061

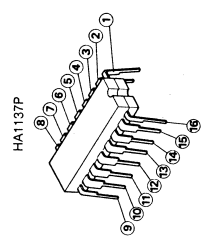
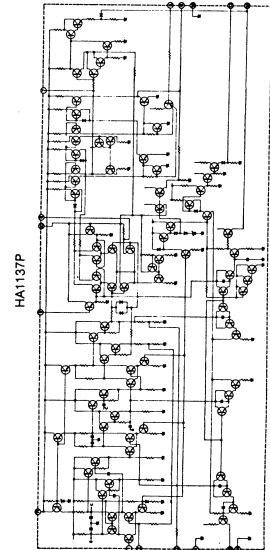
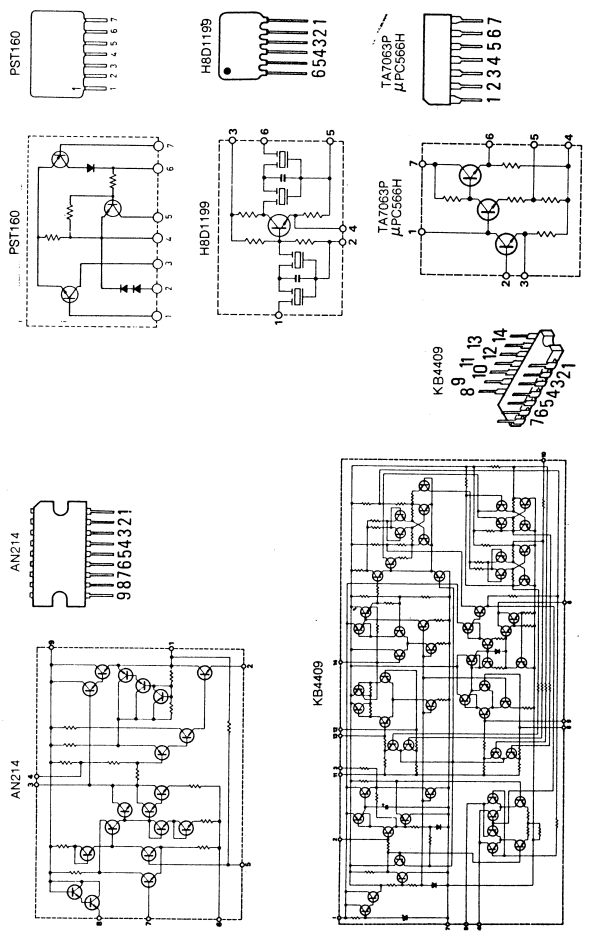
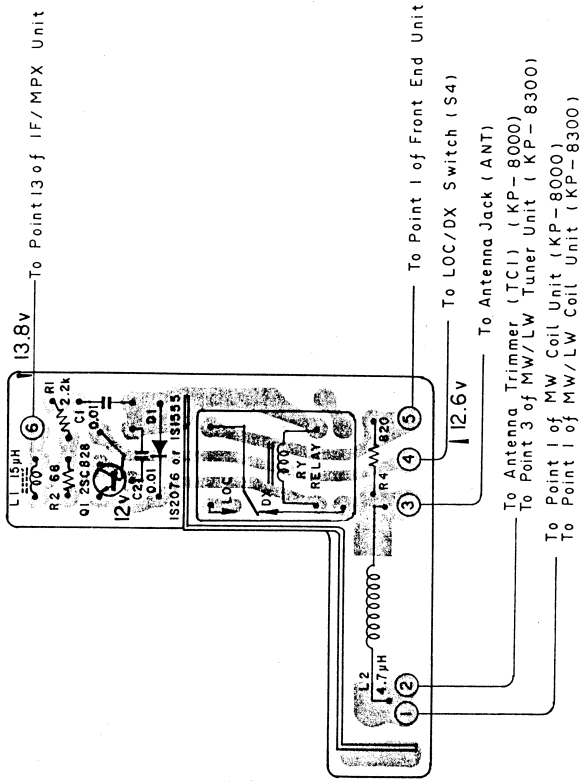
- 2SC460

- 2SC1383



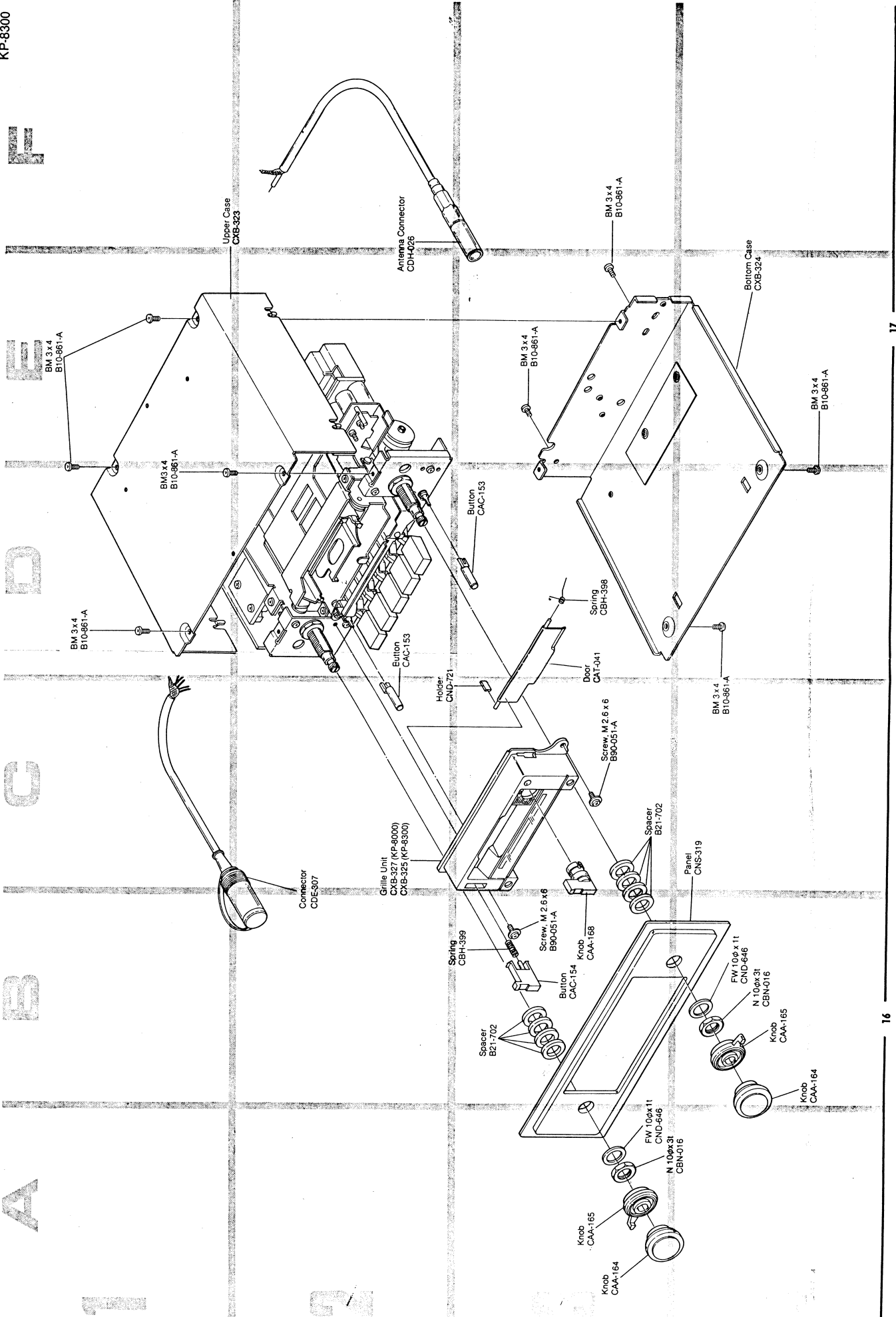
ANTENNA ATTENUATOR UNIT (CWX-210)

• Parts Connection



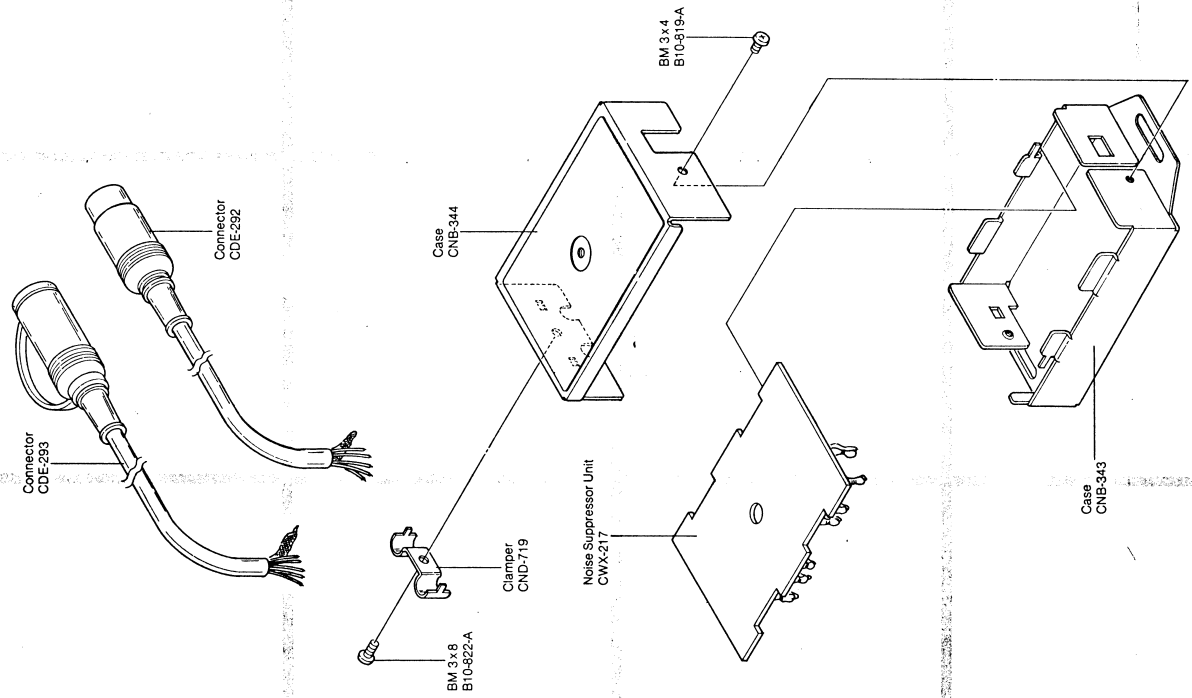
CABINET EXPLODED VIEW

KP-8000
KP-8300



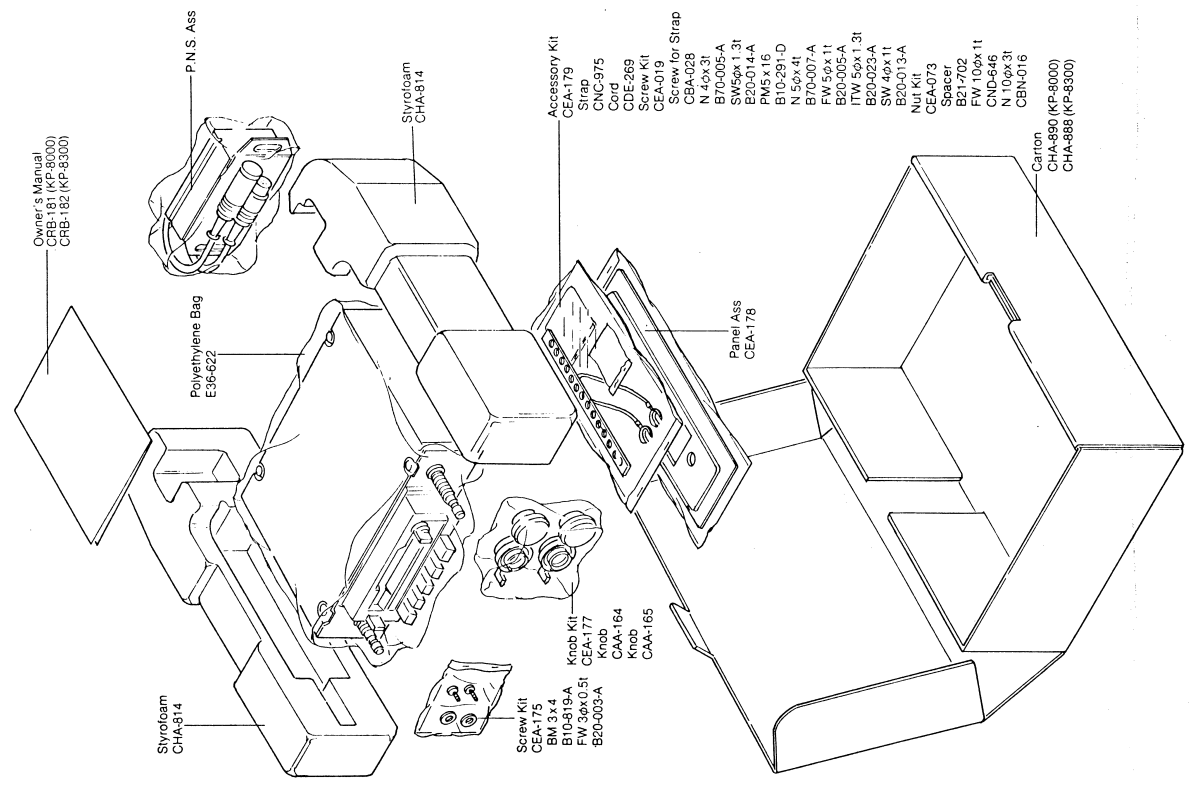
PNS EXPLODED VIEW

KP-8000
KP-8300



NOTICE: Part whose parts number is omitted is subject to being not supplied.

PACKING METHOD



CASSETTE MECHANISM EXPLODED VIEW

